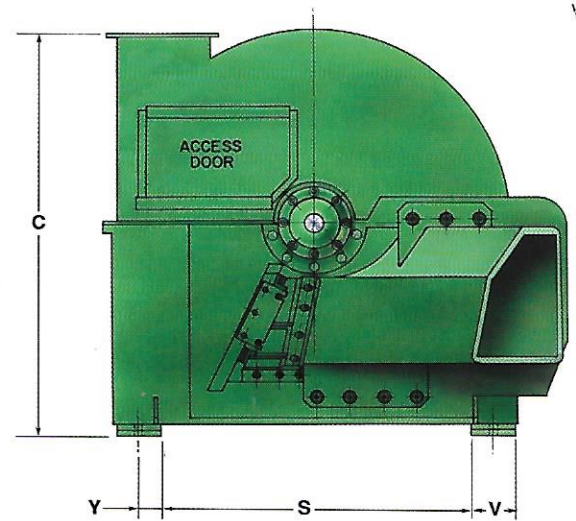
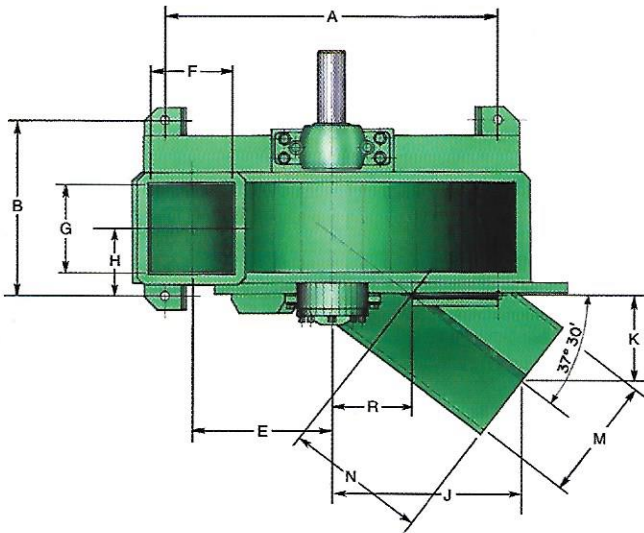




Precision Waste Wood Chipper Dimensions And Specifications

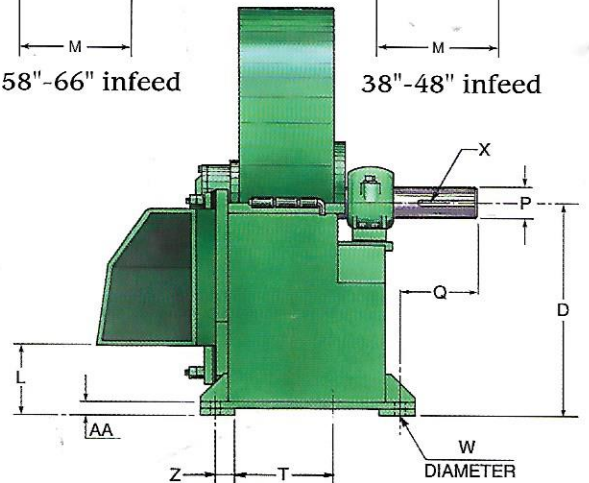
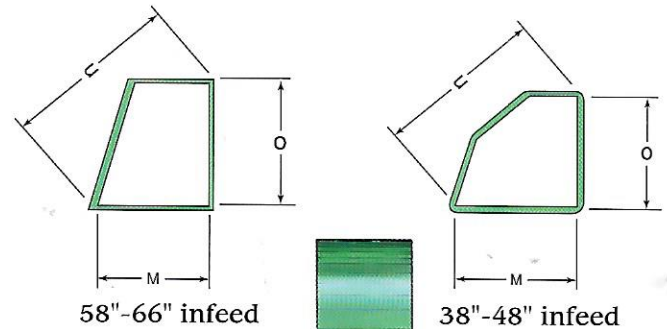


DIMENSIONS IN INCHES

Chipper Size	A	B	C	D	E	F
38	36	23	44 ⁵ / ₈	23 ⁵ / ₈	16	10
48	48	25 ¹ / ₂	55	29	20	12
58	57	28 ⁵ / ₈	63	33	24 ¹ / ₂	12
66	67	35	74 ¹ / ₄	38 ¹ / ₂	27 ¹ / ₈	15

Chipper Size	G	H	J	K	L	M	N	O	P	Q
38	10 ³ / ₄	7 ⁵ / ₈	25 ³ / ₈	11 ³ / ₄	7 ⁵ / ₈	14 ¹ / ₂	20 ¹ / ₂	14 ³ / ₄	21 ⁵ / ₁₆	5 ¹ / ₂
48	12 ¹ / ₂	10	27	12 ¹ / ₂	10 ³ / ₄	18	21	16 ³ / ₄	31 ⁵ / ₁₆	10 ¹ / ₈
58	13 ¹ / ₂	10 ¹ / ₂	30 ³ / ₄	13	9 ⁵ / ₈	22	22	26	47 ¹ / ₁₆	8 ¹ / ₂
66	13 ³ / ₄	17 ¹ / ₈	32 ¹ / ₄	9	13 ³ / ₄	25	15 ¹ / ₂	28	41 ⁵ / ₁₆	11 ¹ / ₂

Chipper Size	R	S	T	U	V	W	X	Y	Z	AA
38	9 ¹ / ₈	32	10 ³ / ₄	20 ¹ / ₂	6	1 ¹ / ₄	3/4 x 3/8 x 6	2	3	1 ¹ / ₂
48	10 ¹ / ₄	42	12 ¹ / ₂	24 ¹ / ₂	6	1 ¹ / ₄	1 x 1/2 x 8 ¹ / ₂	3	3 ³ / ₄	1 ¹ / ₂
58	13 ¹ / ₄	51	13 ¹ / ₂	34	6	1 ¹ / ₄	1 x 1/2 x 8 ¹ / ₂	3	3 ³ / ₄	1 ¹ / ₄
66	19 ⁷ / ₈	55	13 ³ / ₄	38	9	1 ¹ / ₂	1 ¹ / ₄ x 5/8 x 10	6	10 ¹ / ₄	1 ¹ / ₄



SPECIFICATIONS

Chipper Size	Number of Knives	Spout Opening	Max. Oper. RPM	Chip. Disc Dia.	Fd. Rt. Approx. FPM	Avg. Cord Hour	Pulley Shaft Size
38	4	9 x 20	1000	38 ¹ / ₂	250	26	2 ¹⁵ / ₁₆
48	3, 4, 6 or 8	11 x 24	900	48	337	40	3 ¹⁵ / ₁₆
58	3, 4 or 6	15 x 34	720	58	270	54	4 ⁷ / ₁₆
66	3, 4, 6 or 8	17 x 38	600	66	300	74	4 ¹⁵ / ₁₆

ENGINEERED FOR PERFORMANCE

Precision chippers are more efficient, producing consistently sized chips with greater capacity. The 38" will accommodate a 20" slab and 9" roundwood. The 48" takes 24" slabs and 11" roundwood. The 58" takes 34" slabs and 15" roundwood. The 66" takes 38" slabs and 17" roundwood.



PRECISION HUSKY



C O R P O R A T I O N

P.O. DRAWER 507 • LEEDS, AL 35094-0507 • 205/640-5181 • FAX 205/640-1147

EMAIL: precisionhusky@msn.com • WEB SITE: www.precisionhusky.com

